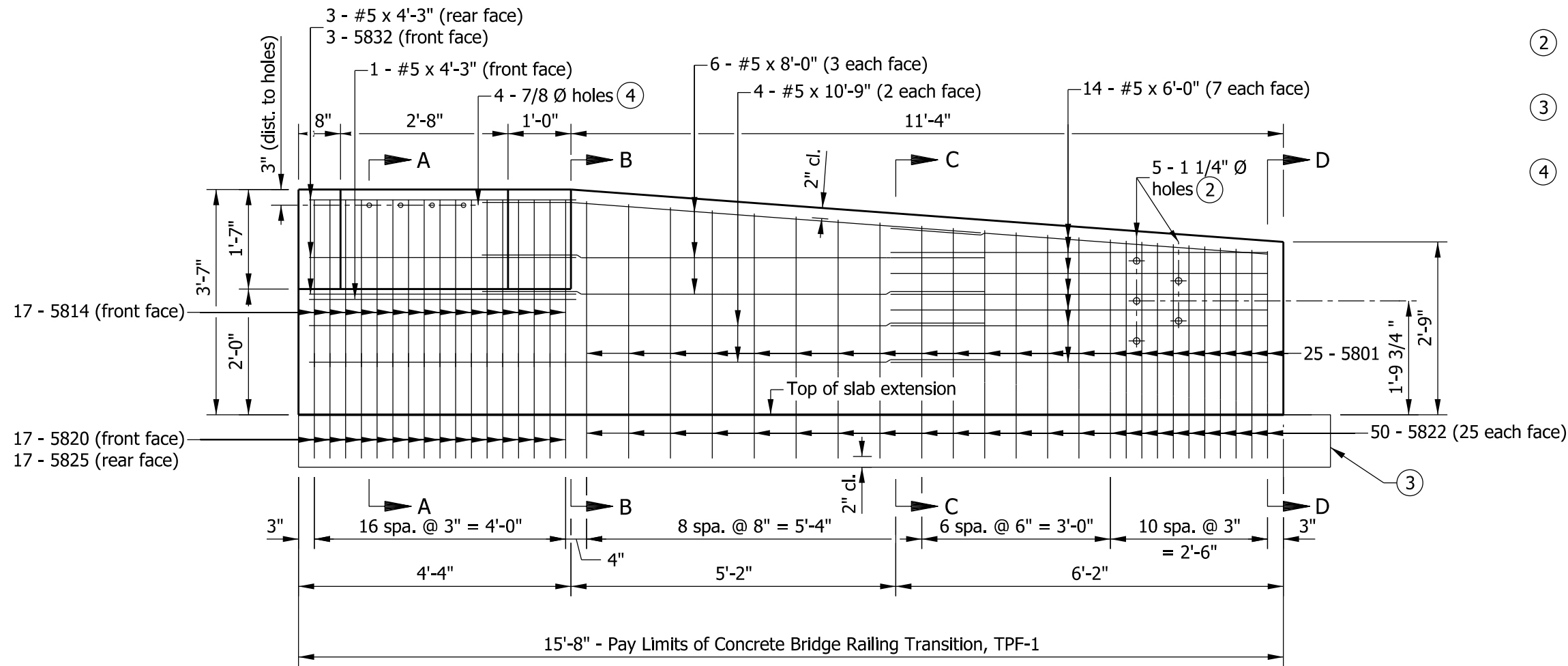
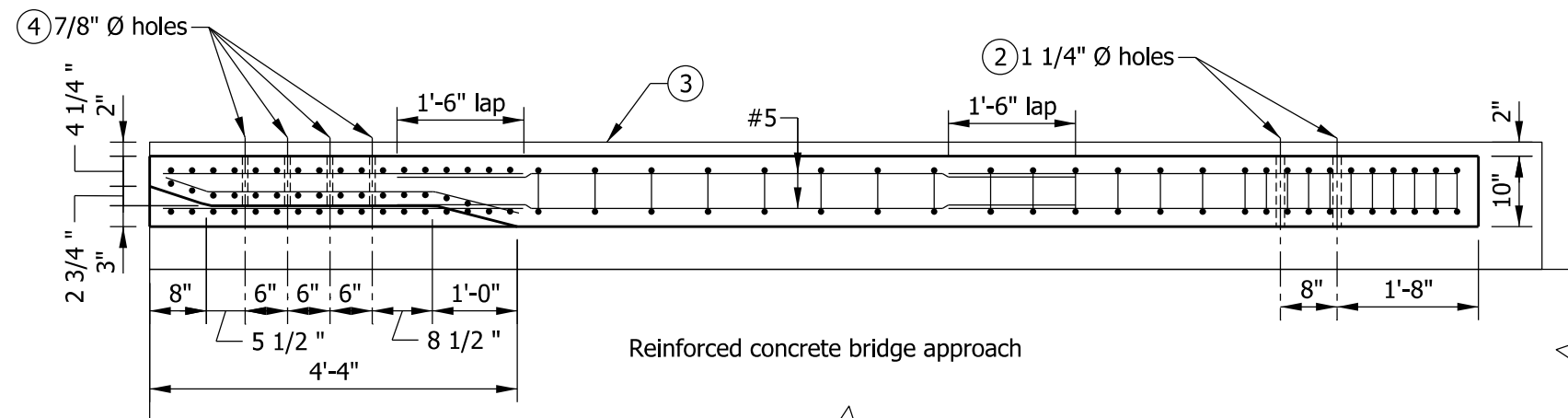


**NOTES**

1. See Standard Drawing E 706-TTPP-02 for sections and reinforcing bar diagrams.
- ② Holes for attachment of guardrail transition type TGB. See Standard Drawing E 706-CBRT-04 for details.
- ③ RCBA extension for bridge railing transition type TPF-1. See Standard Drawing E 609-TBAE-01 for details.
- ④ Holes for attachment of steel bridge railing type PF-1. See Standard Drawing E 706-BRPP-01 for details.



**ELEVATION**



**PLAN**

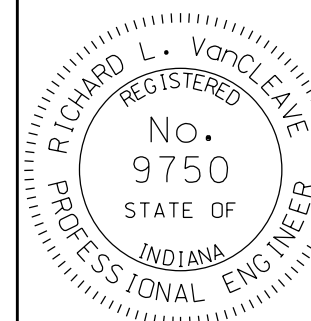
BILL OF MATERIALS			
Quantities are for one concrete bridge railing transition type TPF-1.			
EPOXY-COATED REINFORCING STEEL			
MARK OR SIZE	NO. OF BARS	LENGTH	WEIGHT
5801	25	5'-4"	
5814	17	3'-0"	
5820	17	3'-1"	
5822	50	3'-7"	
5825	17	4'-8"	
5832	3	4'-3"	
#5	4	10'-9"	
#5	6	8'-0"	
#5	14	6'-0"	
#5	4	4'-3"	
Total Epoxy-Coated Reinforcing Steel			730 LBS
MISCELLANEOUS			
Concrete, Class C			1.5 CYS
Surface Seal			119 SFT

**INDIANA DEPARTMENT OF TRANSPORTATION**

**CONCRETE BRIDGE RAILING TRANSITION, TPF-1**

SEPTEMBER 2012

STANDARD DRAWING NO. E 706-TTPP-01

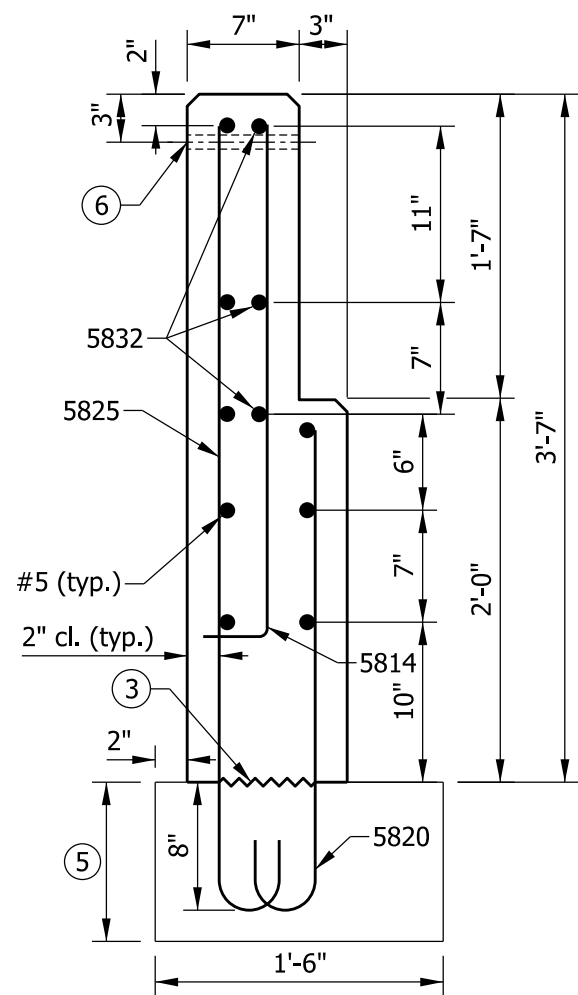


/s/ *Richard L. VanCleave* 09/04/12

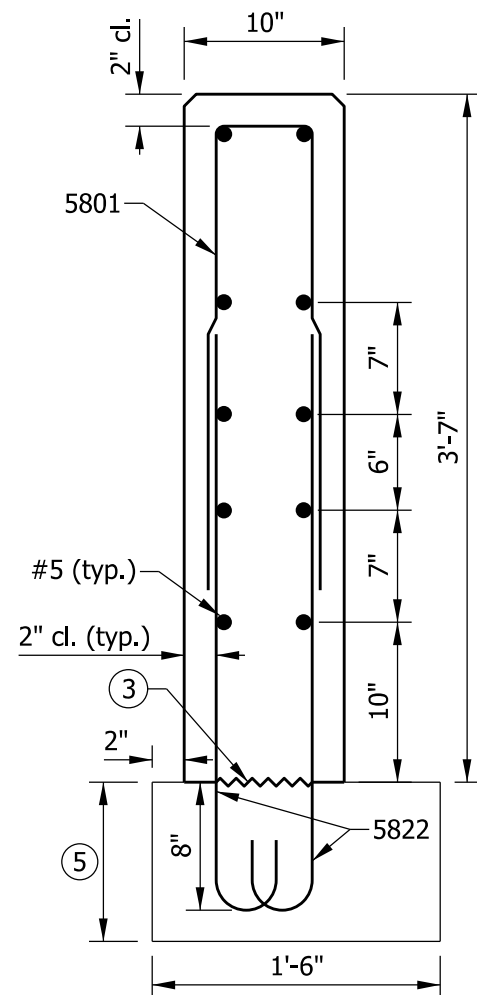
SUPERVISOR, ROADWAY STANDARDS DATE

/s/ *Mark A. Miller* 09/04/12

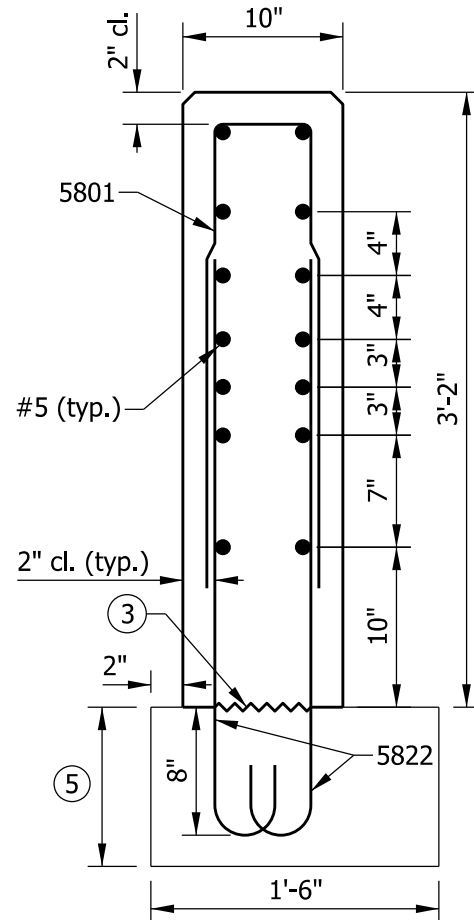
CHIEF ENGINEER DATE



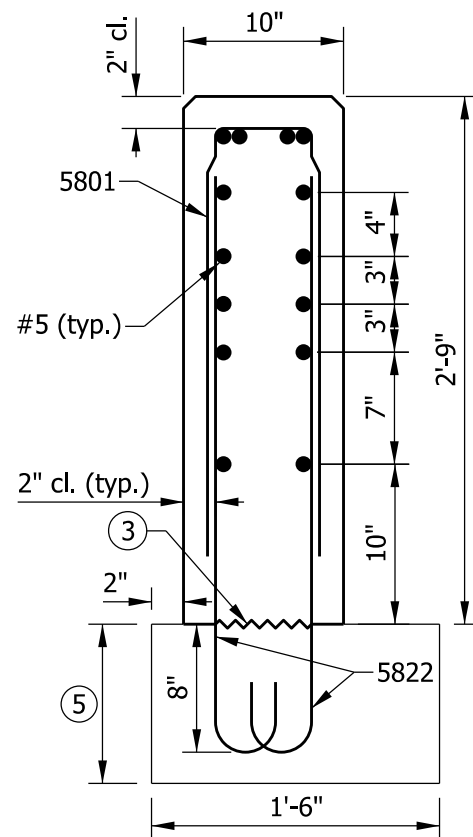
SECTION A-A



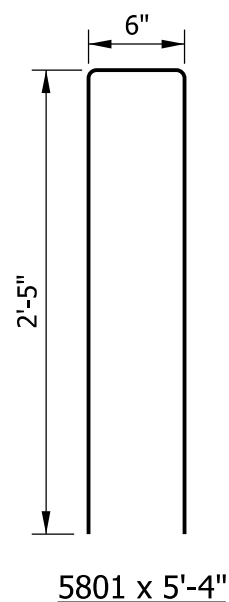
SECTION B-B



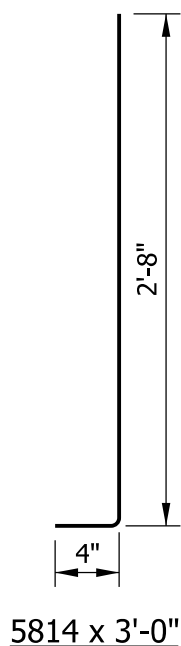
SECTION C-C



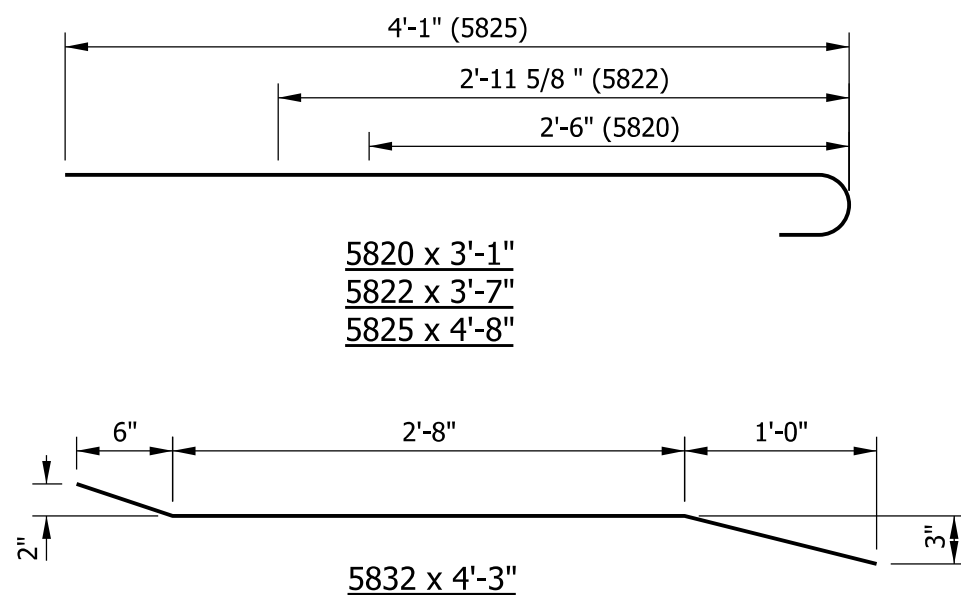
SECTION D-D



5801 x 5'-4"



5814 x 3'-0"



5820 x 3'-1"  
5822 x 3'-7"  
5825 x 4'-8"

NOTES

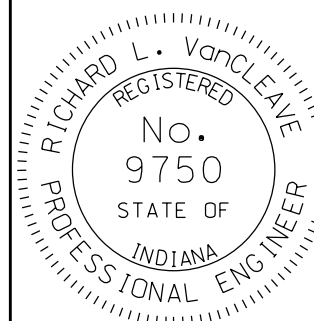
1. See Standard Drawing E 706-TTPP-01 for elevation and plan.
2. All chamfered edges shall be 3/4".
3. Construction joint type A. See Standard Drawing E 702-CJTA-01 for details.
4. See Standard Drawing E 703-BRST-01 for reinforcing-bar bending details and notes.
5. RCBA extension for bridge railing transition type TPF-1. See Standard Drawing E 609-TBAE-01 details.
6. 7/8" Ø hole for attachment of steel bridge railing type PF-1. See Standard Drawing E 706-BRPP-01 for details.

INDIANA DEPARTMENT OF TRANSPORTATION

CONCRETE BRIDGE RAILING  
TRANSITION, TPF-1

SEPTEMBER 2012

STANDARD DRAWING NO. E 706-TTPP-02

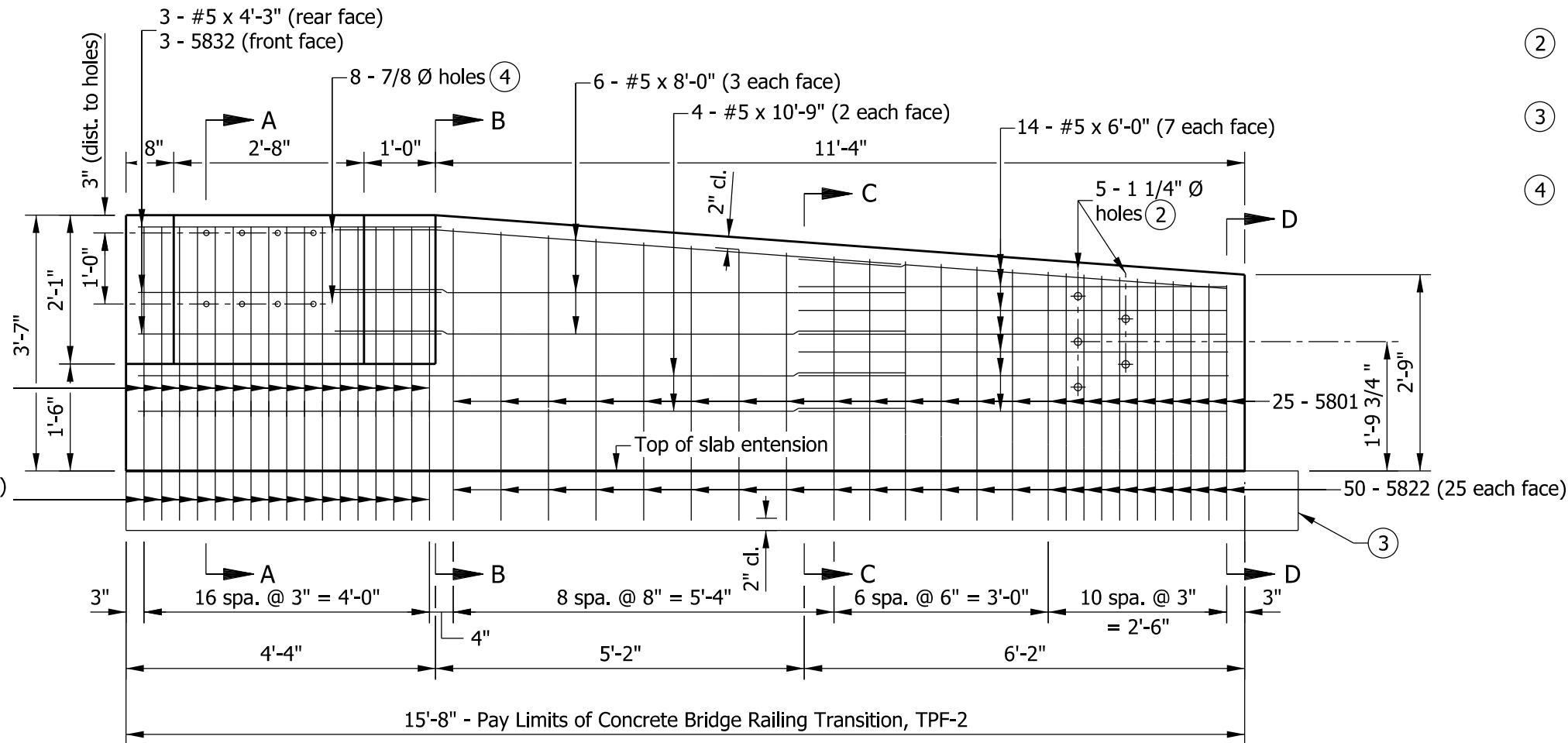


/s/ Richard L. VanCleave 09/04/12  
SUPERVISOR, ROADWAY STANDARDS DATE

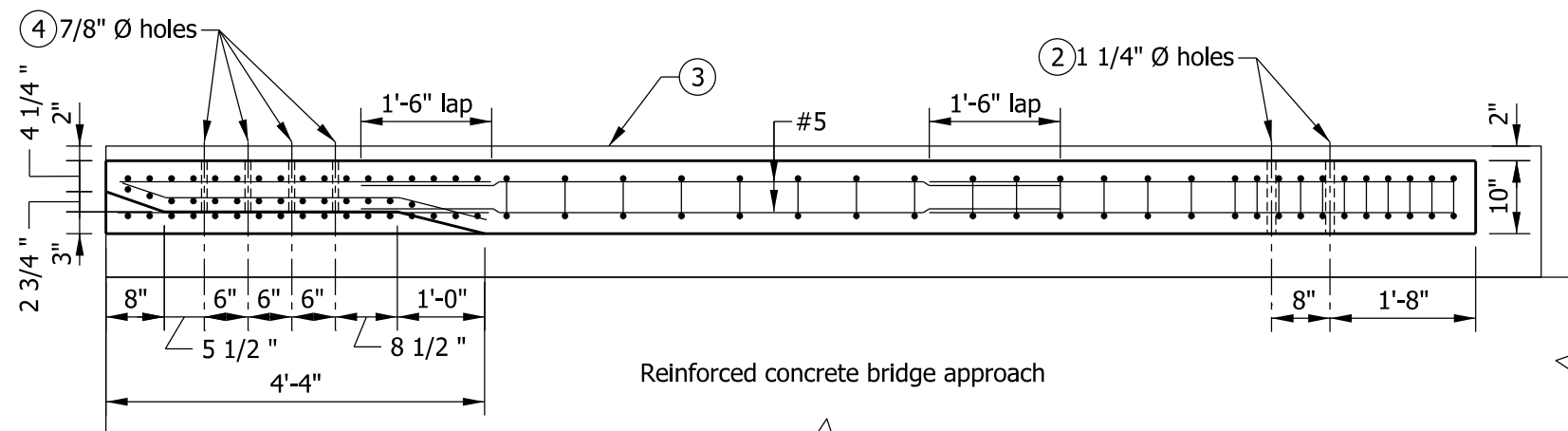
/s/ Mark A. Miller 09/04/12  
CHIEF ENGINEER DATE

**NOTES**

1. See Standard Drawing E 706-TTPP-04 for sections and reinforcing bar diagrams.
- ② Holes for attachment of guardrail transition type TGB. See Standard Drawing E 706-CBRT-04 for details.
- ③ RCBA extension for bridge railing transition type TPF-2. See Standard Drawing E 609-TBAE-01 for details.
- ④ Holes for attachment of steel bridge railing type PF-2. See Standard Drawing E 706-BRPP-02 for details.



**ELEVATION**



**PLAN**

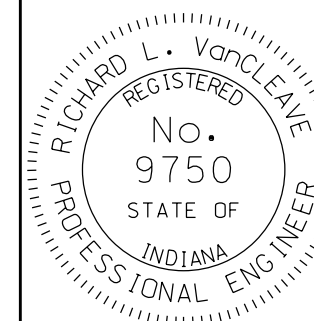
BILL OF MATERIALS			
Quantities are for one concrete bridge railing transition type TPF-2.			
EPOXY-COATED REINFORCING STEEL			
MARK OR SIZE	NO. OF BARS	LENGTH	WEIGHT
5801	25	5'-4"	
5814	17	3'-0"	
5819	17	2'-7"	
5822	50	3'-7"	
5825	17	4'-8"	
5832	3	4'-3"	
#5	4	10'-9"	
#5	6	8'-0"	
#5	14	6'-0"	
#5	3	4'-3"	
Total Epoxy-Coated Reinforcing Steel			717 LBS
MISCELLANEOUS			
Concrete, Class C			1.5 CYS
Surface Seal			119 SFT

**INDIANA DEPARTMENT OF TRANSPORTATION**

**CONCRETE BRIDGE RAILING TRANSITION, TPF-2**

SEPTEMBER 2012

STANDARD DRAWING NO. E 706-TTPP-03

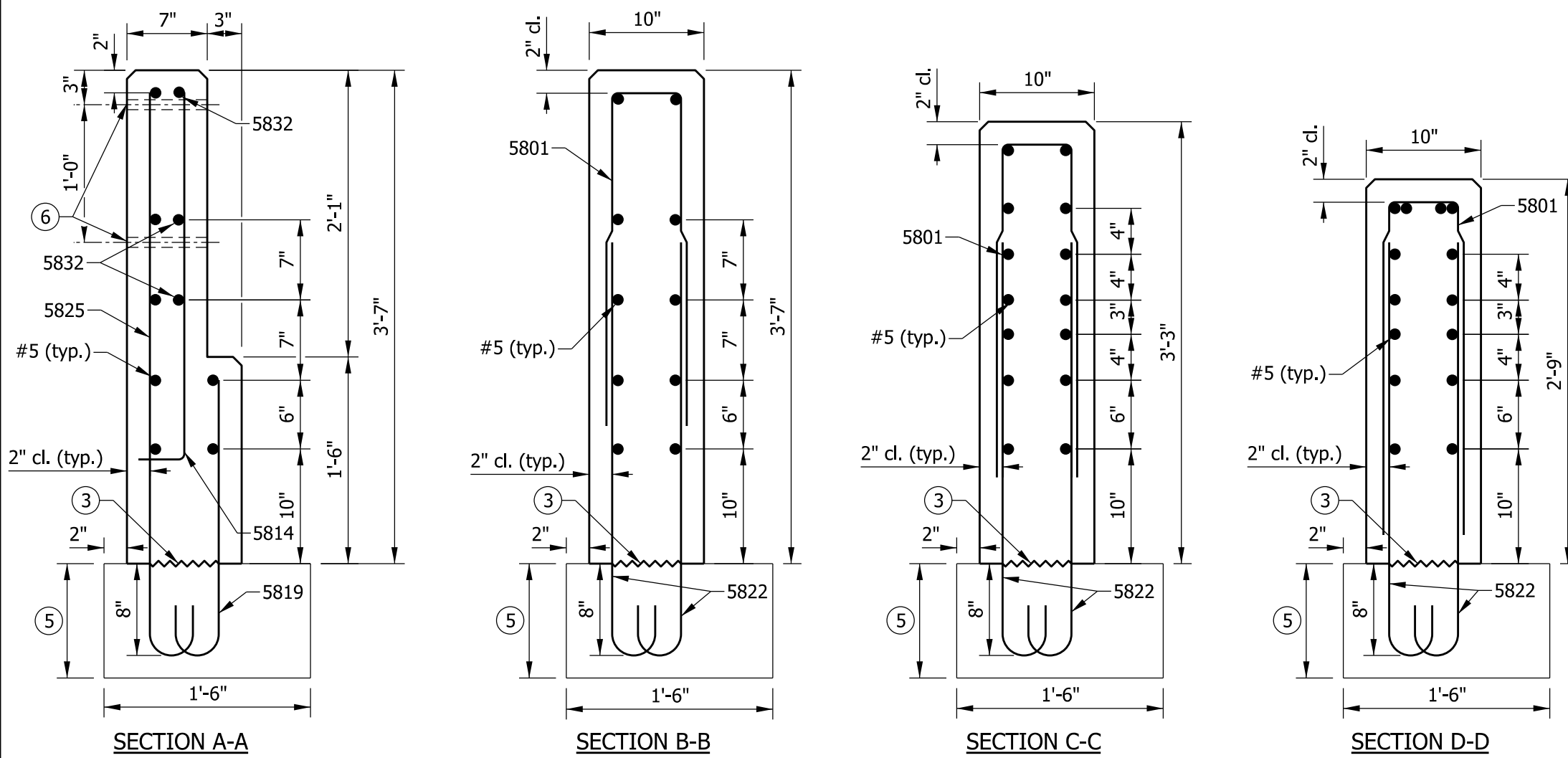


/s/ Richard L. VanCleave 09/04/12

SUPERVISOR, ROADWAY STANDARDS DATE

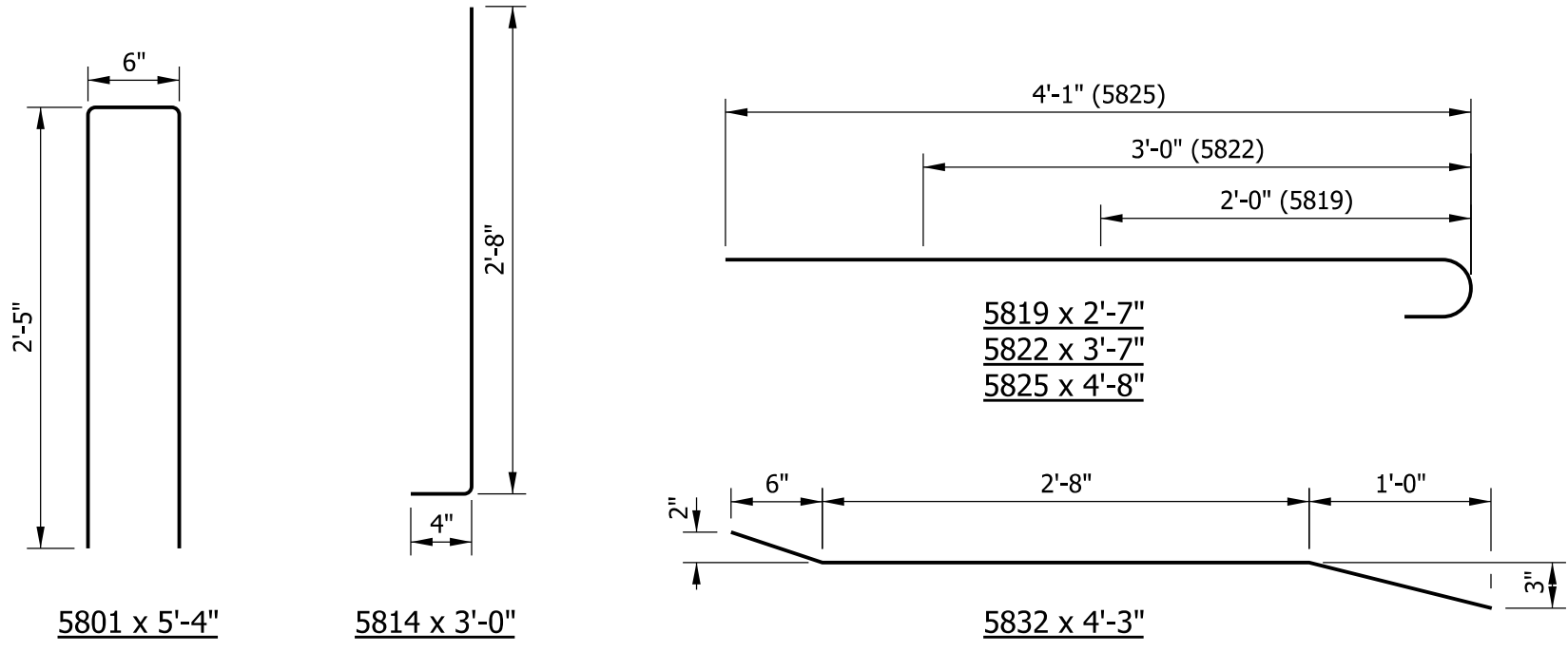
/s/ Mark A. Miller 09/04/12

CHIEF ENGINEER DATE

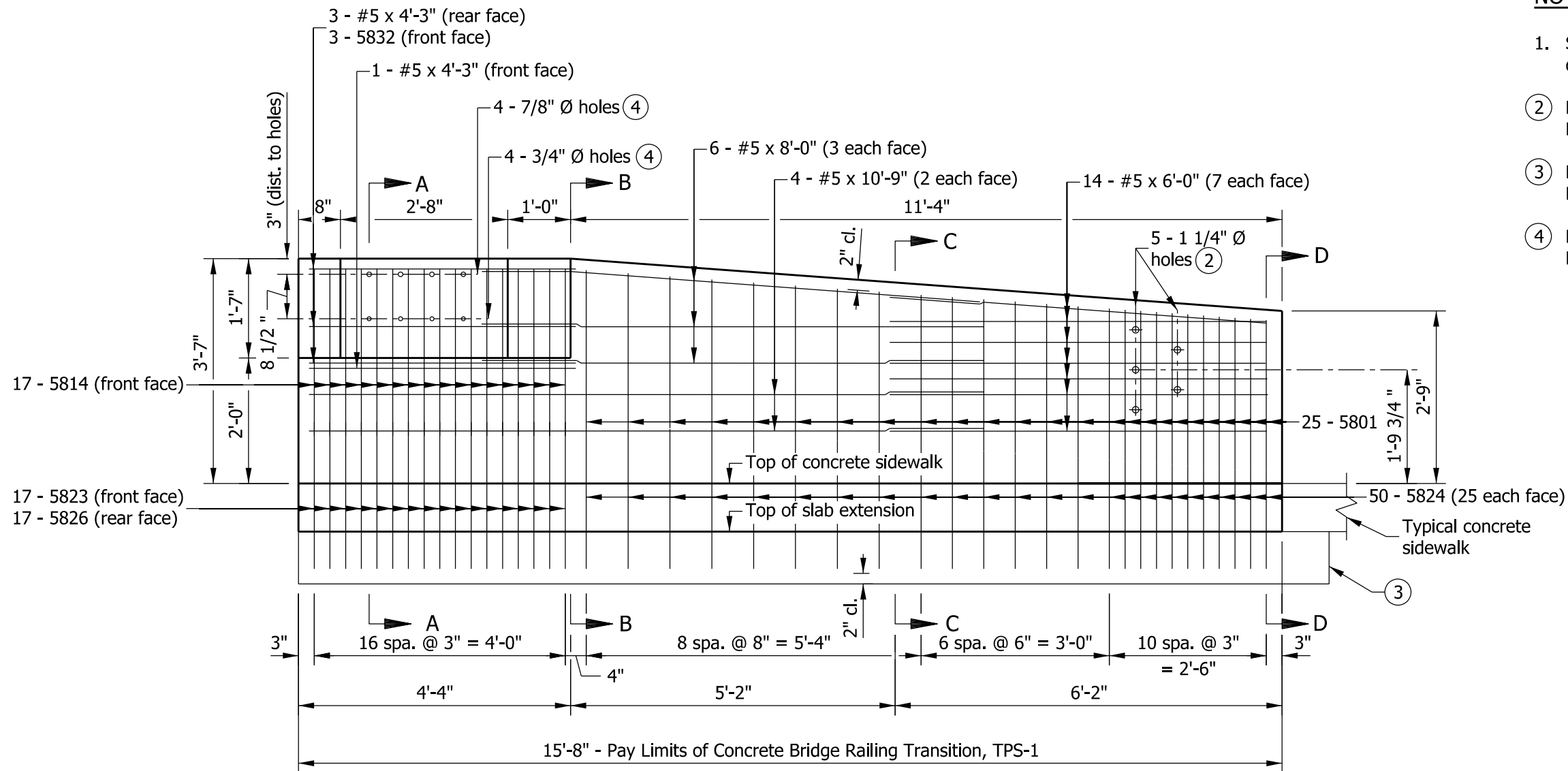


**NOTES**

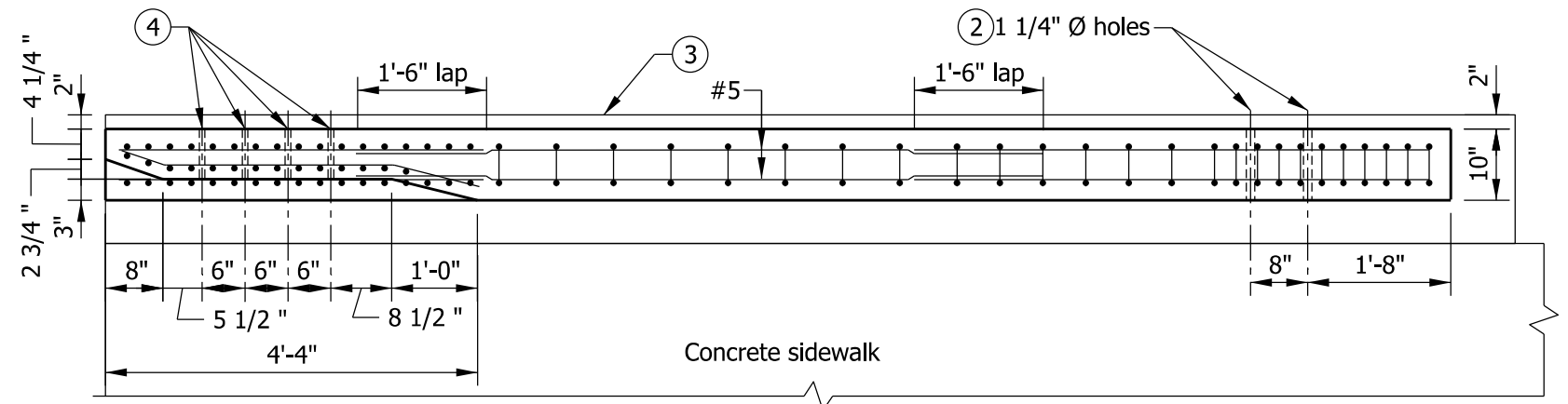
1. See Standard Drawing E 706-TTPP-03 for elevation and plan.
2. All chamfered edges shall be 3/4".
3. Construction joint type A. See Standard Drawing E 702-CJTA-01 for details.
4. See Standard Drawing E 703-BRST-01 for reinforcing-bar bending details and notes.
5. RCBA extension for bridge railing transition type TPF-2. See Standard Drawing E 609-TBAE-01 for details.
6. 7/8" Ø hole for attachment of steel bridge railing type PF-2. See Standard Drawing E 706-BRPP-02 for details.



INDIANA DEPARTMENT OF TRANSPORTATION	
CONCRETE BRIDGE RAILING TRANSITION, TPF-2	
SEPTEMBER 2012	
STANDARD DRAWING NO.	E 706-TTPP-04
	/s/ <i>Richard L. VanCleave</i> 09/04/12 SUPERVISOR, ROADWAY STANDARDS      DATE
	/s/ <i>Mark A. Miller</i> 09/04/12 CHIEF ENGINEER      DATE



**ELEVATION**



**PLAN**

**NOTES**

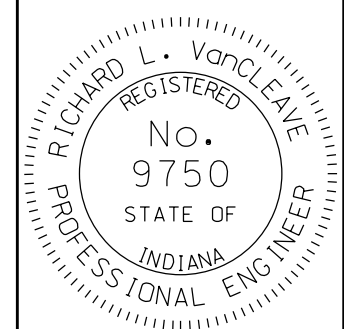
1. See Standard Drawing E 706-TTPP-06 for sections and reinforcing bar diagrams.
2. Holes for attachment of guardrail transition type TGB. See Standard Drawing E 706-CBRT-04 for details.
3. RCBA extension for bridge railing transition type TPS-1. See Standard Drawing E 609-TBAE-01 for details.
4. Holes for attachment of steel bridge railing type PS-1. See Standard Drawing E 706-BRPP-03 for details.

BILL OF MATERIALS			
Quantities are for one concrete bridge railing transition type TPS-1.			
EPOXY-COATED REINFORCING STEEL			
MARK OR SIZE	NO. OF BARS	LENGTH	WEIGHT
5801	25	5'-4"	
5814	17	3'-0"	
5823	17	3'-9"	
5824	50	4'-3"	
5826	17	5'-4"	
5832	3	4'-3"	
#5	4	10'-9"	
#5	6	8'-0"	
#5	14	6'-0"	
#5	4	4'-3"	
Total Epoxy-Coated Reinforcing Steel			789 LBS
MISCELLANEOUS			
Concrete, Class C			1.9 CYS
Surface Seal			131 SFT

**INDIANA DEPARTMENT OF TRANSPORTATION**

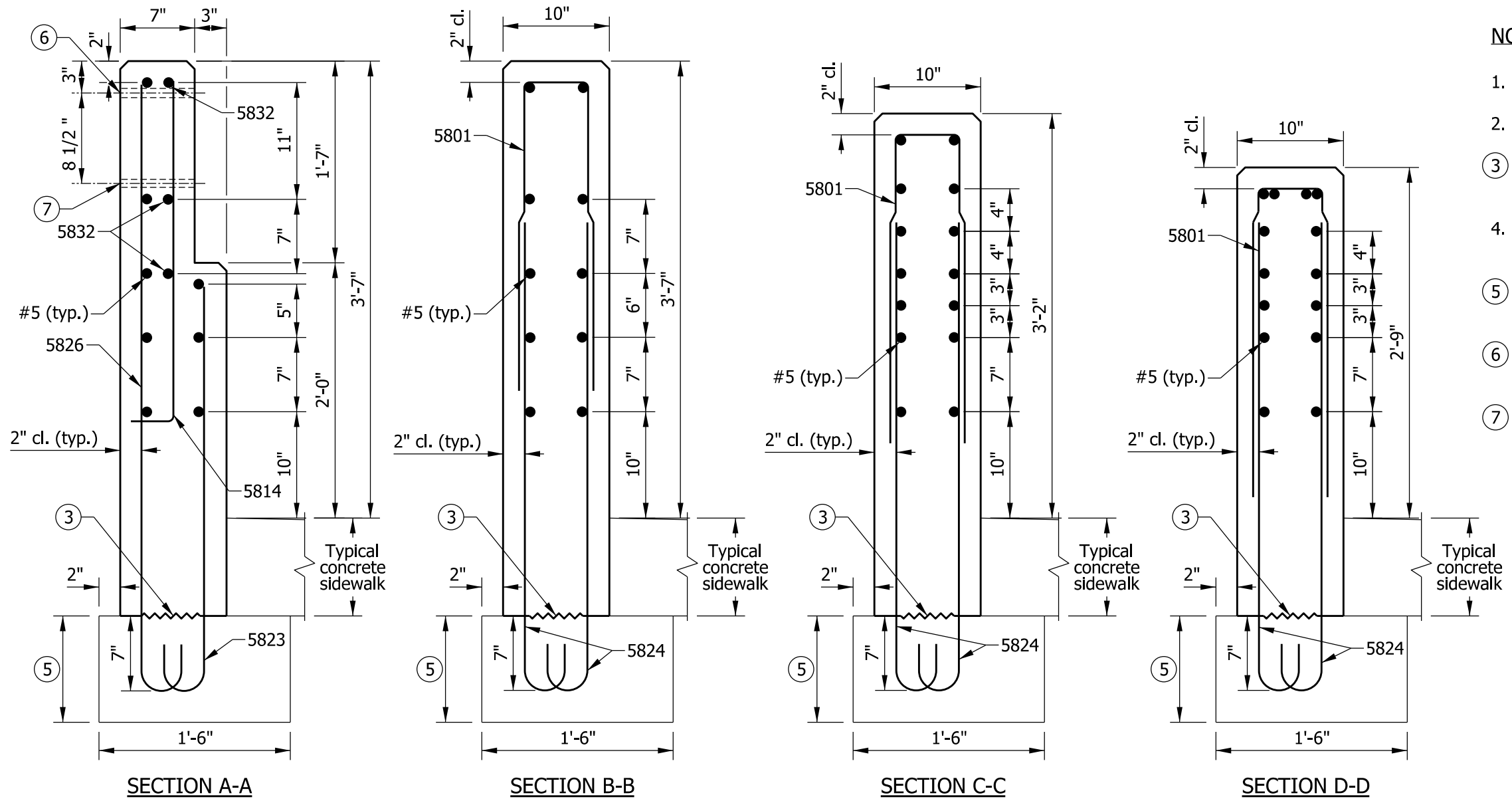
**CONCRETE BRIDGE RAILING TRANSITION, TPS-1**  
**SEPTEMBER 2012**

**STANDARD DRAWING NO. E 706-TTPP-05**



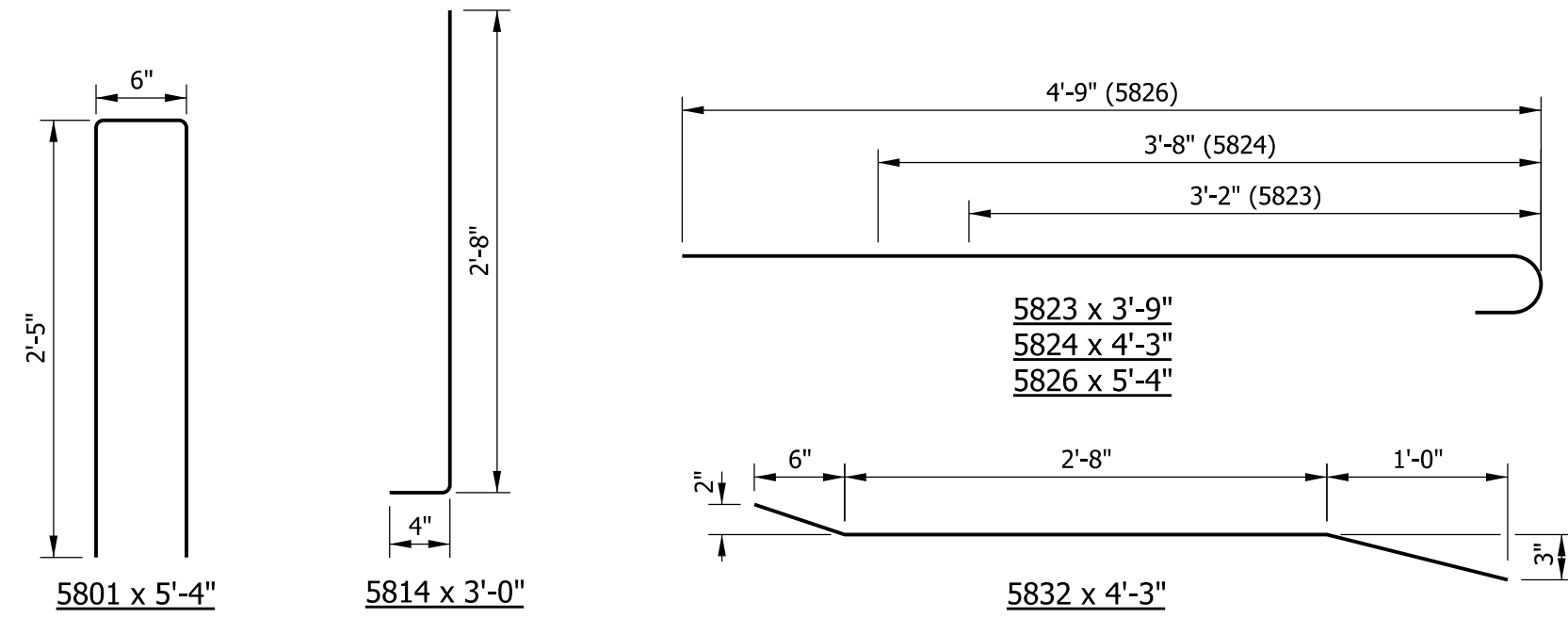
*/s/ Richard L. VanCleave* 09/04/12  
SUPERVISOR, ROADWAY STANDARDS DATE

*/s/ Mark A. Miller* 09/04/12  
CHIEF ENGINEER DATE



**NOTES**

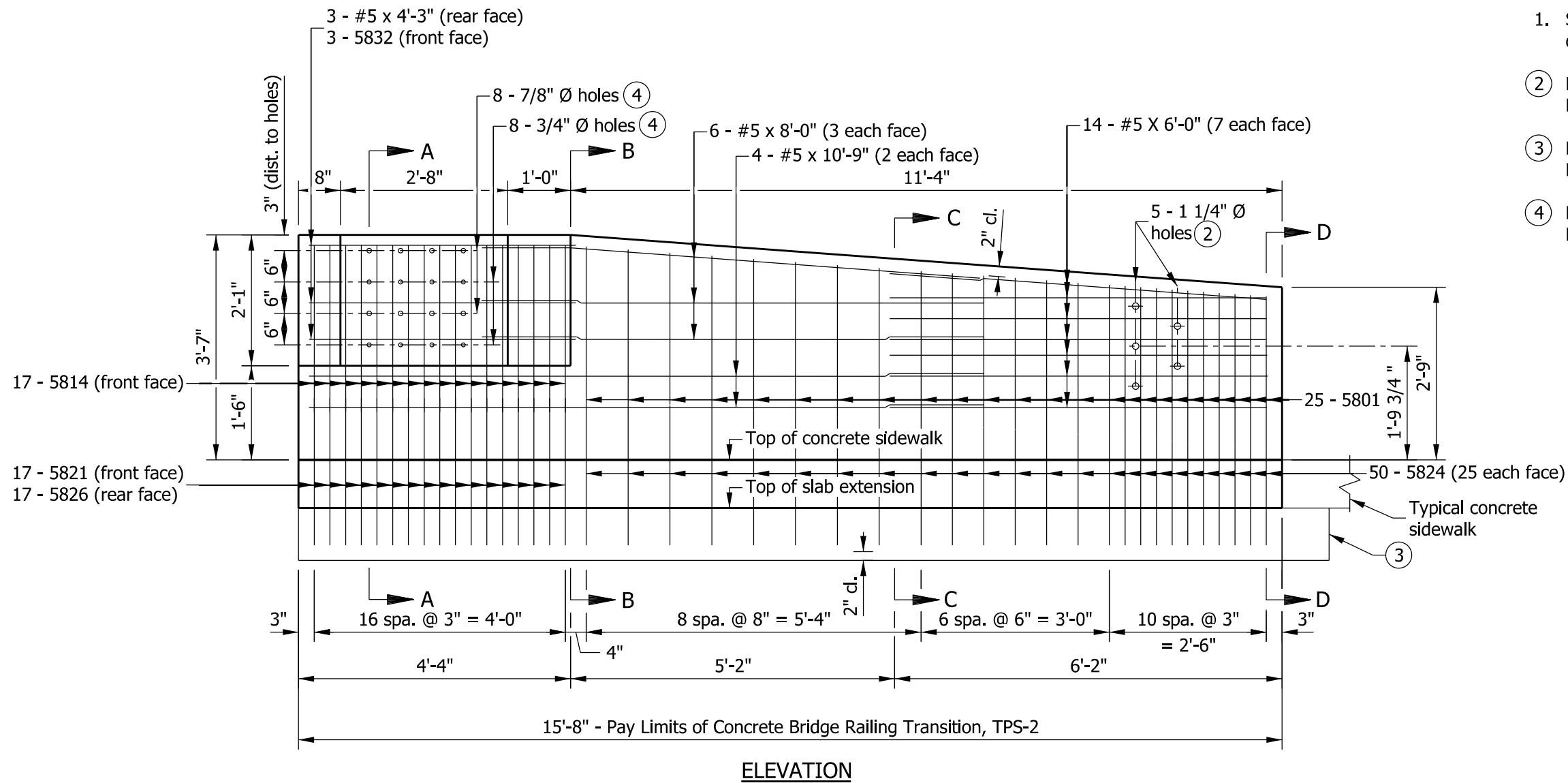
1. See Standard Drawing E 706-TTPP-05 for elevation and plan.
2. All chamfered edges shall be 3/4".
3. Construction jointing type A. See Standard Drawing E 702-CJTA-01 for details.
4. See Standard Drawing E 703-BRST-01 for reinforcing-bar bending details and notes.
5. RCBA extension for bridge railing transition type TPS-1. See Standard Drawing E 609-TBAE-01 for details.
6. 7/8" Ø hole for attachment of steel bridge railing type PS-1, large rail. See Standard Drawing E 706-BRPP-03 for details.
7. 3/4" Ø hole for attachment of steel bridge railing type PS-1, small rail. See Standard Drawing E 706-BRPP-03 for details.



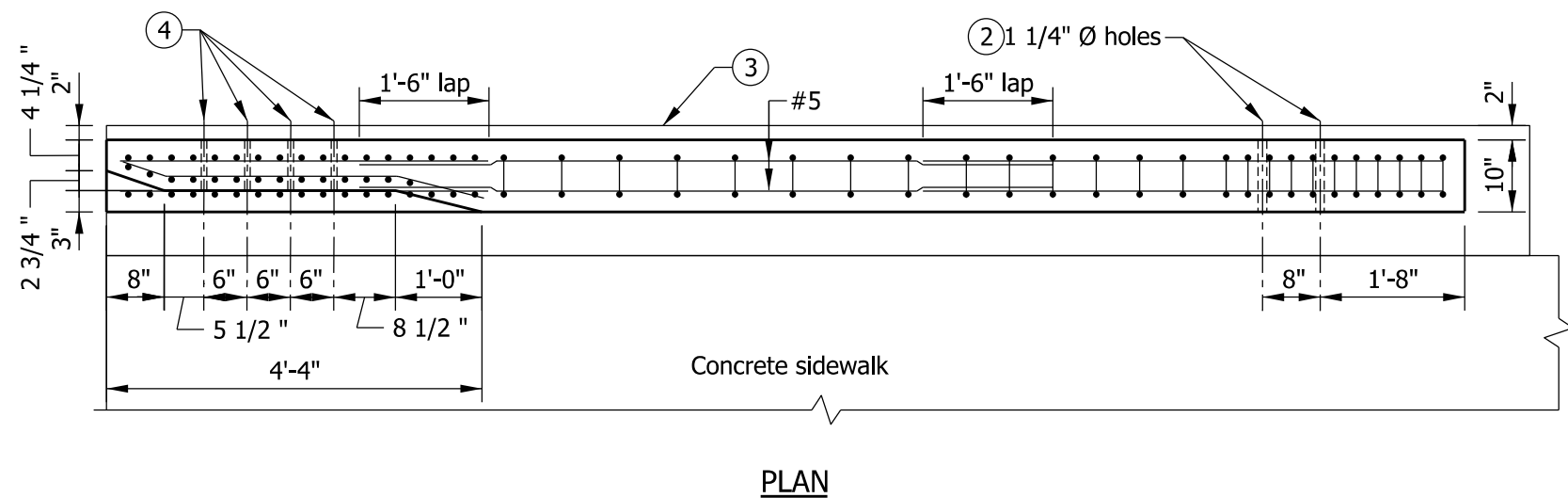
<b>INDIANA DEPARTMENT OF TRANSPORTATION</b>									
<b>CONCRETE BRIDGE RAILING TRANSITION, TPS-1</b>									
<b>SEPTEMBER 2012</b>									
<b>STANDARD DRAWING NO.</b>	<b>E 706-TTPP-06</b>								
	<table style="width: 100%; border-collapse: collapse;"> <tr> <td style="width: 80%; border-bottom: 1px solid black;">/s/ <i>Richard L. VanCleave</i></td> <td style="width: 20%; border-bottom: 1px solid black;">09/04/12</td> </tr> <tr> <td style="font-size: small;">SUPERVISOR, ROADWAY STANDARDS</td> <td style="font-size: small;">DATE</td> </tr> <tr> <td style="border-bottom: 1px solid black;">/s/ <i>Mark A. Miller</i></td> <td style="border-bottom: 1px solid black;">09/04/12</td> </tr> <tr> <td style="font-size: small;">CHIEF ENGINEER</td> <td style="font-size: small;">DATE</td> </tr> </table>	/s/ <i>Richard L. VanCleave</i>	09/04/12	SUPERVISOR, ROADWAY STANDARDS	DATE	/s/ <i>Mark A. Miller</i>	09/04/12	CHIEF ENGINEER	DATE
/s/ <i>Richard L. VanCleave</i>	09/04/12								
SUPERVISOR, ROADWAY STANDARDS	DATE								
/s/ <i>Mark A. Miller</i>	09/04/12								
CHIEF ENGINEER	DATE								

**NOTES**

1. See Standard Drawing E 706-TTPP-08 for sections and reinforcing bar diagrams.
- ② Holes for attachment of guardrail transition type TGB. See Standard Drawing E 706-CBRT-04 for details.
- ③ RCBA extension for bridge railing transition type TPS-2. See Standard Drawing E 609-TBAE-01 for details.
- ④ Holes for attachment of steel bridge railing type PS-2. See Standard Drawing E 706-BRPP-04 for details.



BILL OF MATERIALS			
Quantities are for one concrete bridge railing transition type TPS-2.			
EPOXY-COATED REINFORCING STEEL			
MARK OR SIZE	NO. OF BARS	LENGTH	WEIGHT
5801	25	5'-4"	
5814	17	3'-0"	
5821	17	3'-3"	
5824	50	4'-3"	
5826	17	5'-4"	
5832	3	4'-3"	
#5	4	10'-9"	
#5	6	8'-0"	
#5	14	6'-0"	
#5	3	4'-3"	
Total Epoxy-Coated Reinforcing Steel			775 LBS
MISCELLANEOUS			
Concrete, Class C			1.9 CYS
Surface Seal			131 SFT

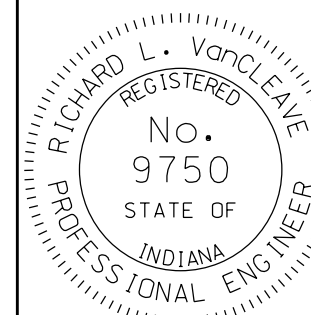


INDIANA DEPARTMENT OF TRANSPORTATION

CONCRETE BRIDGE RAILING  
TRANSITION, TPS-2

SEPTEMBER 2012

STANDARD DRAWING NO. E 706-TTPP-07

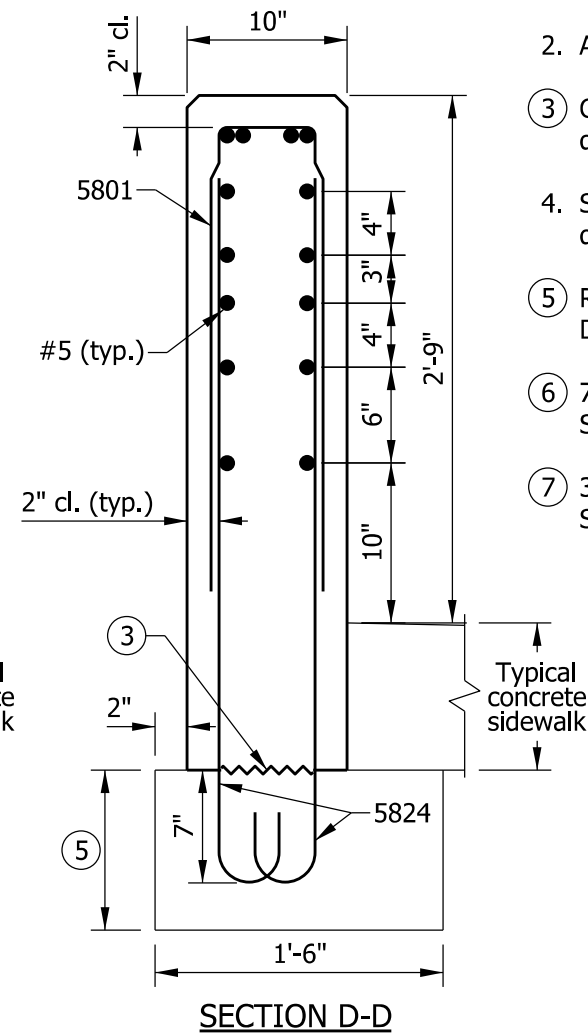
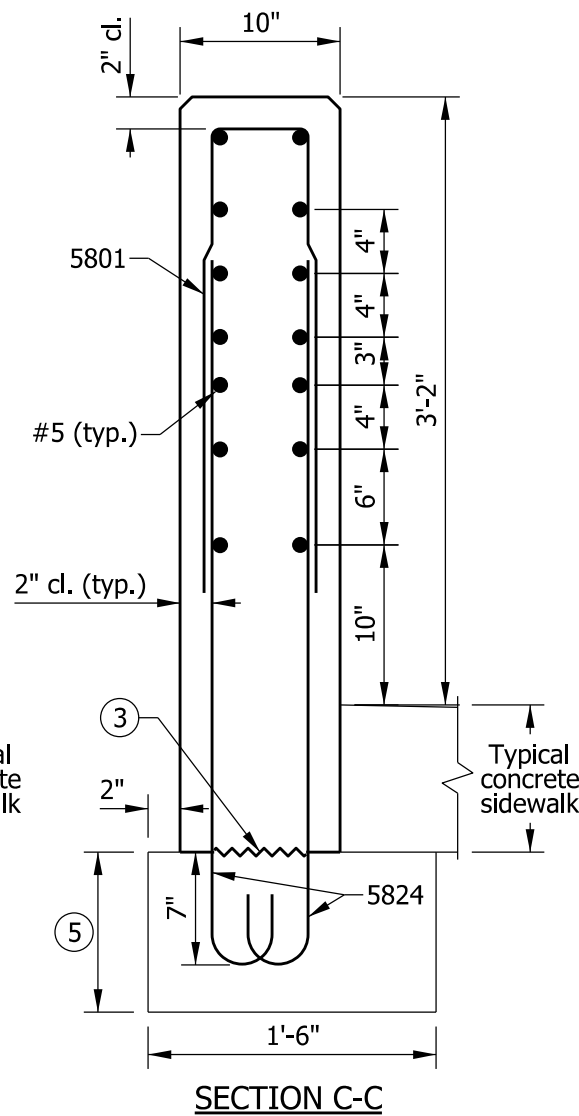
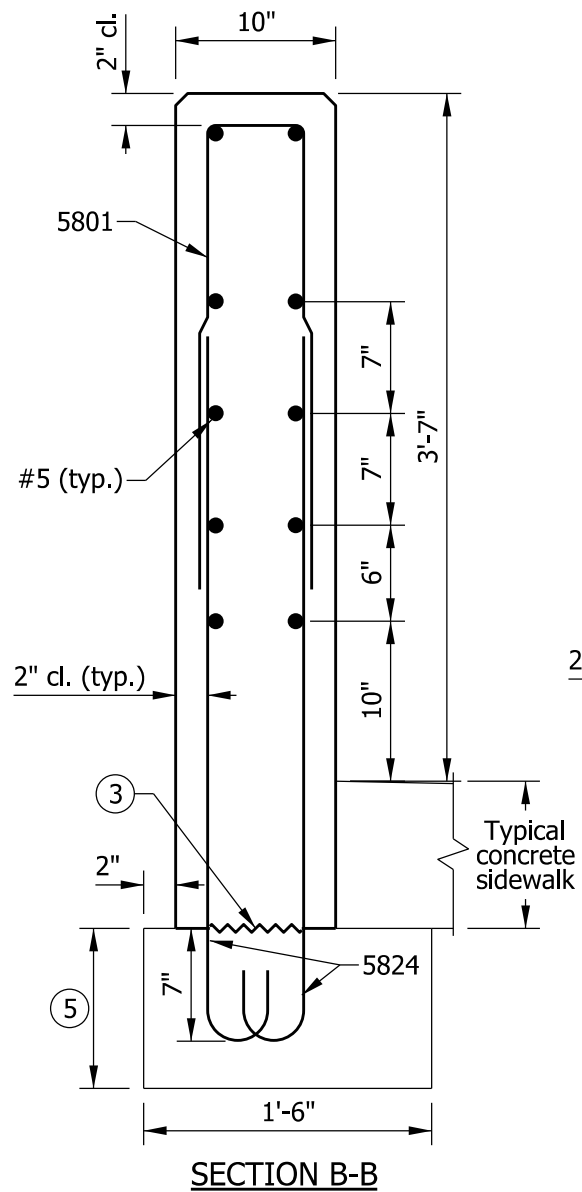
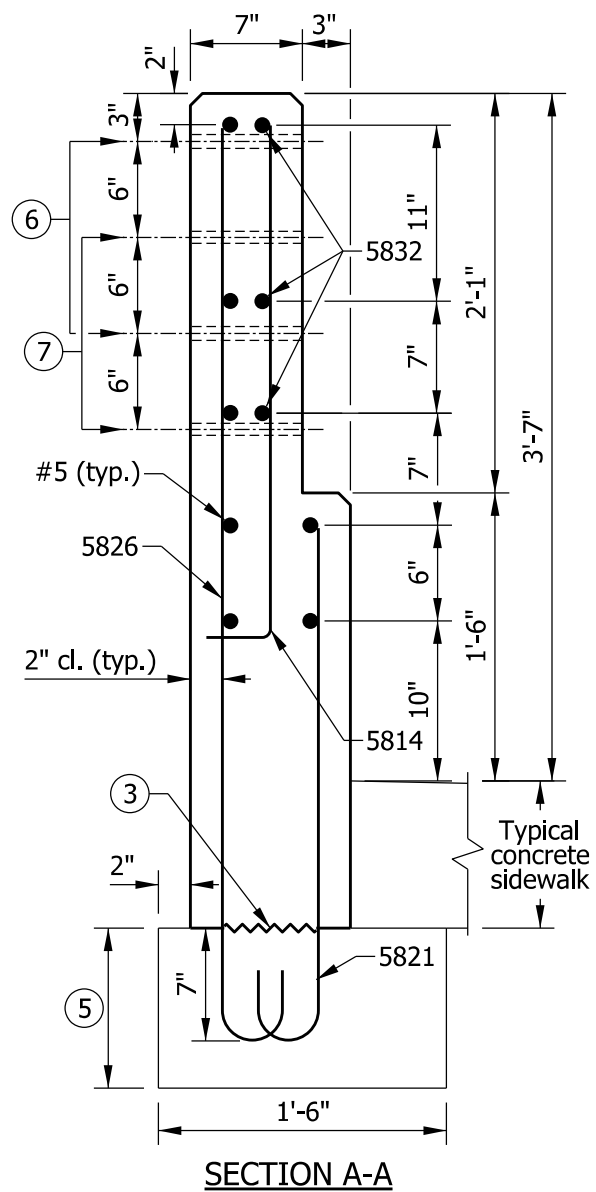


/s/ Richard L. VanCleave 09/04/12

SUPERVISOR, ROADWAY STANDARDS DATE

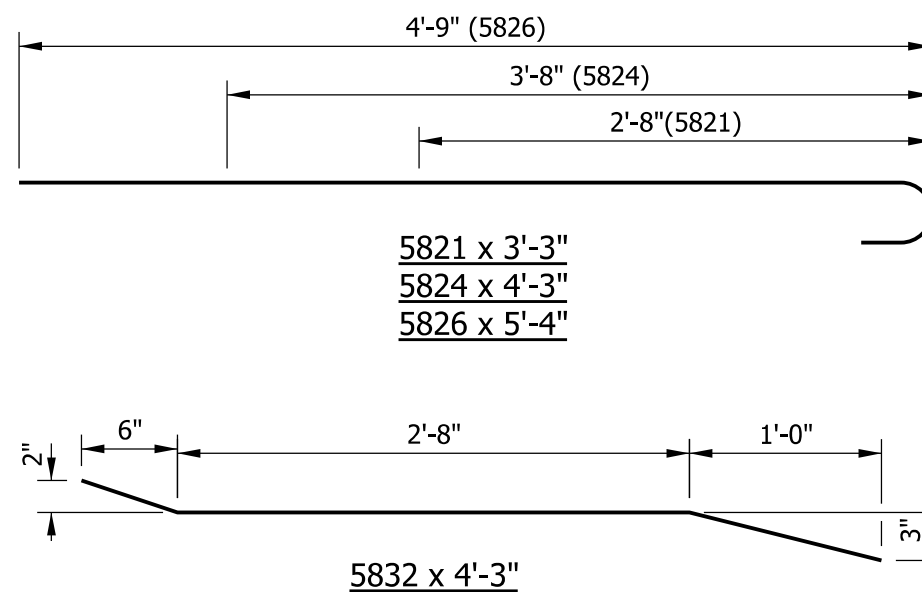
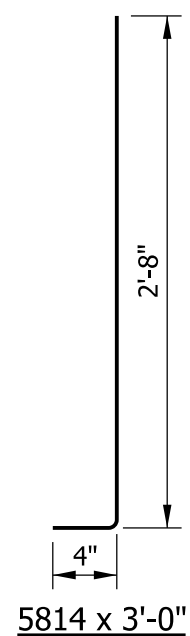
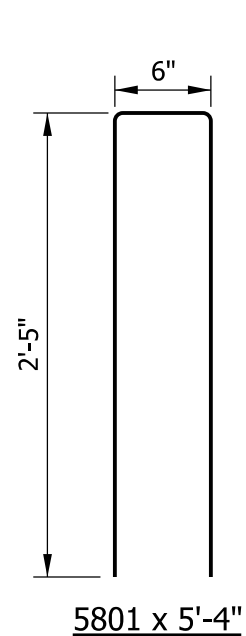
/s/ Mark A. Miller 09/04/12

CHIEF ENGINEER DATE



**NOTES**

1. See Standard Drawing E 706-TTPP-07 for elevation and plan.
2. All chamfered edges shall be 3/4".
3. Construction joint type A. See Standard Drawing E 702-CJTA-01 for details.
4. See Standard Drawing E 703-BRST-01 for reinforcing-bar bending details and notes.
5. RCBA extension for bridge railing transition type TPS-2. See Standard Drawing E 609-TBAE-01 for details.
6. 7/8" Ø hole for attachment of steel bridge railing type PS-2, large rail. See Standard Drawing E 706-BRPP-04 for details.
7. 3/4" Ø hole for attachment of steel bridge railing type PS-2, small rail. See Standard Drawing E 706-BRPP-04 for details.



INDIANA DEPARTMENT OF TRANSPORTATION	
CONCRETE BRIDGE RAILING TRANSITION, TPS-2	
SEPTEMBER 2012	
STANDARD DRAWING NO.	E 706-TTPP-08
	/s/ <i>Richard L. VanCleave</i> 09/04/12 SUPERVISOR, ROADWAY STANDARDS DATE
	/s/ <i>Mark A. Miller</i> 09/04/12 CHIEF ENGINEER DATE